

Superior bag housings designed for industrial and commercial filter applications with liquids.

The single bag liquid housings feature heavy-duty construction for maximum durability and are a reliable solution for pre-filtration, coarse filtration, and bulk liquid filtration.

#1 and #2 bag housings:

- Available in 316 SS, 304 SS or carbon steel construction
- Clamp or swing bolt closures
- Stainless steel compression spring for positive bag sealing
- Adjustable stainless steel leg assembly
- 6 mm (1/4") FNPT gauge ports and 13 mm (1/2") FNPT drain port

#3 and #4 bag housings:

- 316 SS construction
- Clamp closure for easy bag change outs
- Adjustable leg assembly



L-BH

APPLICATIONS

- Water
- Food & beverage
- Oil
- Coolants
- Chemicals
- Electronics
- Inks/paints/coatings
- Pulp and paper

SPECIFICATIONS

MATERIALS	
Head / Shell #1 and #2 Sizes	316 SS, 304 SS, carbon steel
Head / Shell #3 and #4 Sizes	316 SS
Mounting Legs	304 SS
Gaskets	EPDM
Baskets	3 mm (1/8") perforated stainless steel (various perforation and mesh sizes optional)

OPTIONS
Side Inlet / Side Outlet (#1 and #2 sizes)

See ordering guide for complete selection of options.

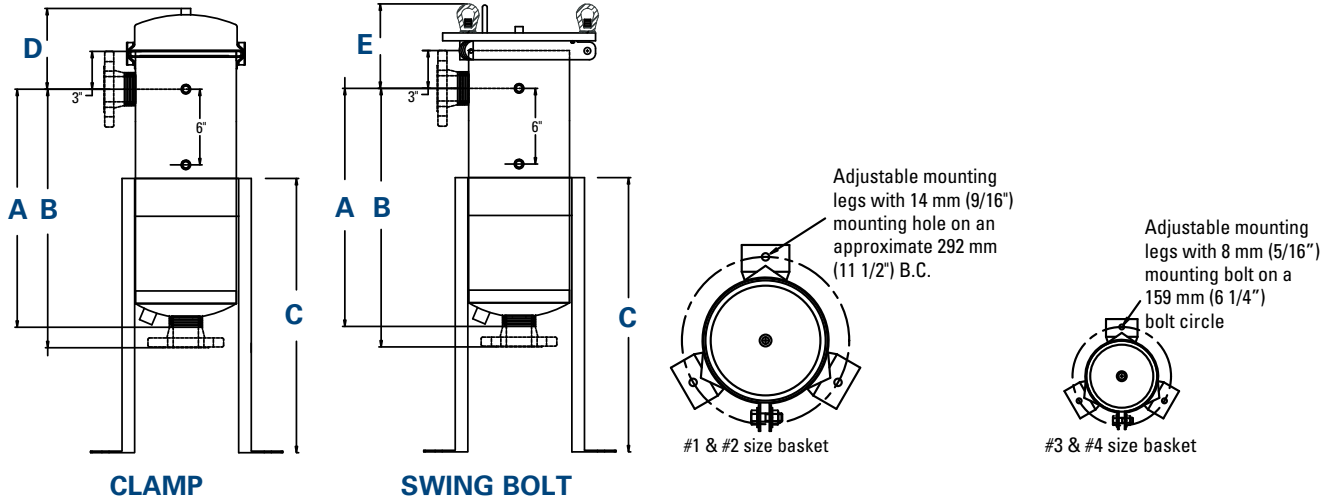
MAXIMUM OPERATING PRESSURE
10.35 bar @ 149° C (150 psig @ 300° F)

CONNECTION TYPES	
Inlet/Outlet	51 mm (2") FNPT (#1 and #2 sizes)
	19 mm, 25 mm and 38 mm (3/4", 1" and 1 1/2") FNPT (#3 and #4 sizes)
	Optional: RF flanges or sanitary ferrules
Drain Port	13 mm (1/2") FNPT (#1 and #2 sizes)
Gauge Ports	6 mm (1/4") FNPT - clean and dirty sides (#1 and #2 sizes)
Vent Port	6 mm (1/4") NPT plug

DIMENSIONS

Bag Size	Closure	Max Flow Rate*		Drain Size		Dimensions									
						A		B		C		D		E	
		lpm	gpm	mm	inch	mm	inch	mm	inch	mm	inch	mm	inch	mm	inch
Size 1	Clamp or Swing Bolt	265	70	13	1/2"	480	18.9	521	20.5	554	21.8	76	3.0	170	6.7
Size 2	Clamp or Swing Bolt	568	150	13	1/2"	886	34.9	579	22.8	554	21.8	76	3.0	170	6.7
Size 3	Clamp	95	25			422	16.6	264	10.4						
Size 4	Clamp	151	40			582	22.9	424	16.7						

*Flow rates are guidelines only. Actual flow rates are based upon fluid, viscosity, bag type, micron ratings and other factors



PRODUCT SELECTION

Bag Size	Material	Inlet/Outlet Connection	Closure Style	Gasket
1	304 SS	51 mm (2") FNPT (standard)	Clamp	Buna
		51 mm (2") RF Flange	Swing Bolt	EPR
2	316L SS	76 mm (3") FNPT		Silicone
		76 mm (3") RF Flange		Viton
		51 mm (2") Sanitary		
Bag Size	Material	Inlet/Outlet Connection	Closure Style	Gasket
3	316L SS	19 mm (3/4") FNPT	Clamp	Buna
4		25 mm (1") RF Flange		EPR
		38 mm (1 1/2") FNPT		Silicone

*Note: 134 Coating must have swing bolt closure and flanged connections.

Customization: Housings may be customized to meet your precise requirements. Contact your Donaldson representative for more information.



Important Notice

Many factors beyond the control of Donaldson can affect the use and performance of Donaldson products in a particular application, including the conditions under which the product is used. Since these factors are uniquely within the user's knowledge and control, it is essential the user evaluate the products to determine whether the product is fit for the particular purpose and suitable for the user's application. All products, specifications, availability and data are subject to change without notice, and may vary by region or country.



Donaldson Company, Inc.
Minneapolis, MN

donaldson.com
shop.donaldson.com

Australasia 61-02-4350-2066
marketing.australia@donaldson.com

Brazil 55-11-4894-6035
vendas.brasil@donaldson.com

China 86-400-921-7032
info.cn@donaldson.com

EMEA 49-2129-569-0
cap-europe@donaldson.com

India 91-124-4807-400
indiaenquiries@donaldson.com

Japan 81-42-540-4123
ndl-ultrafilter-web@donaldson.com

Korea 82-2-517-3333
cap-kr@donaldson.com

Latin America 52-449-300-2442
industrialair@donaldson.com

North America 800-543-3634
processfilters@donaldson.com

South Africa 27-11-997-6000
samarketing@donaldson.com

Southeast Asia 65-6311-7373
sea.salesenquiry@donaldson.com