



Clean Fuel & Lubricant Solutions

4 Filter Manifold

P561880

Clean Solutions Filter Manifolds expand capacity and increase flow rate beyond the capability of a single or dual filter head. The P561880 4 Filter Manifold is constructed of heavy duty carbon steel and handles flow rates of up to 250 gpm or 946 lpm.

Dividing the flow between multiple filters plumbed in parallel slows the flow rate per filter, reducing pressure drop and extending filter life.

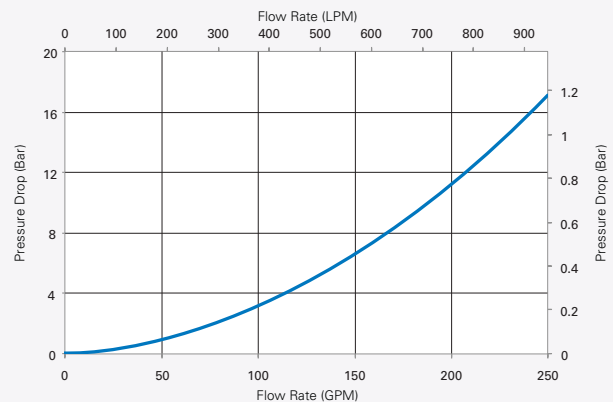
A variety of filter medias are available to meet the specific application requirements.



SPECIFICATIONS

Filter Quantity*	4
Mounting Connection	2" ANSI 150 Flanges
Max. Flow Range**	250 gpm / 946 lpm
Shipping Weight	140 lbs / 64 kg
Pressure Gauges	2 pcs 0-160 psi / 0-11 bar gauges included
Sampling	Includes up-stream and down-stream mini-mess sampling ports with M16 x 2 thread
Fluid Compatibility	All diesel fuels and lubricants
Working Pressure	ANSI B16.5 flange rating 290 psi / 2413 kPa / 24.1 bar up to 100 °F / 38 °C
Construction	Painted carbon steel pipe with aluminum heads
Compatible Filters	DBB8664, DBB8665, DBB8666, DBB8777, DBB0248
Operating Temperature	-40 to 245 °F / -40 to 120 °C

P561880 Manifold



*Filters sold separately

**Actual flow rate varies based on fluid viscosity, pumping pressure and filter loading.

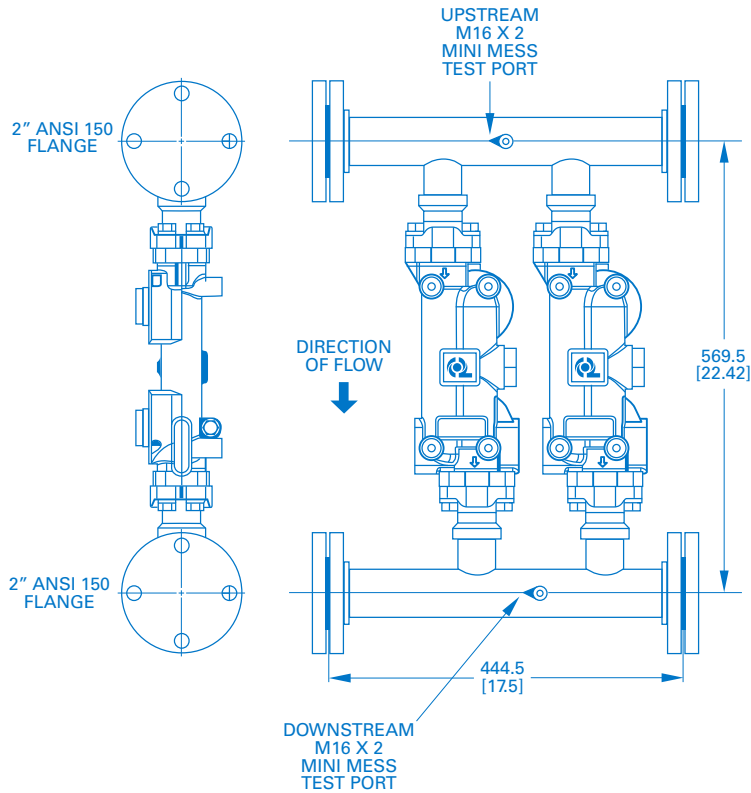
FEATURES

- Fast, easy and safe to service
- Requires no electrical or air hook-ups
- Large capacity in small foot print
- Flexible mounting options (horizontal or vertical)
- Cost effective high capacity system

APPLICATIONS

- Bulk fuel and lubricant filtration and water removal
- High flow transfer into or out of tanks and dispensing
- Hard-to-filter high viscosity oils
- Inline industrial filtration of gear oils and lubricants
- Kidney loop applications

DIMENSIONS



INSTALLATION

- Install on pressure side of pump with arrows pointing in direction of flow
- May be mounted horizontally or vertically
- Allow 16.5" / 410 mm clearance to face for filters
- Ensure proper containment for servicing filters (drip pan or other)
- Install filter manifolds per local codes and regulations
- Use with Clean Solutions filter models DBB8664, DBB8665, DBB8666, DBB8777, DBB0248

REPLACEMENT PARTS & SERVICE

- Service filter when flow slows or predetermined differential pressure is reached
- When servicing change all filters, all replacement filters must be identical
- Isolate manifold, relieve pressure and drain prior to removing old filters
- Install new filters on heads by spinning clockwise, tighten ½ turn after filter seats in gasket
- Dispose of used filters appropriately



Donaldson Company, Inc.
Minneapolis, MN USA

855-518-7784 (USA/Canada)

MyCleanDiesel.com
donaldsonfilters.com

Need a Clean Solution?

As a global organization, we have offices throughout the world. Please direct your inquiry to clean.solutions@donaldson.com. This will enable us to address your inquiry in the shortest possible time.

Mexico	Brazil	South East Asia	Korea
Latin America	Europe & Middle East	Greater China	Australia
Caribbean	South Africa	Japan	India

Brochure No. F111513 ENG (2/15)

© 2014 Donaldson Company, Inc. All rights reserved. Donaldson Company, Inc. reserves the right to change or discontinue any model or specification at any time and without notice. Printed in the U.S.A.