



Donaldson Delivers
**Hydraulic
Reservoir Solutions**



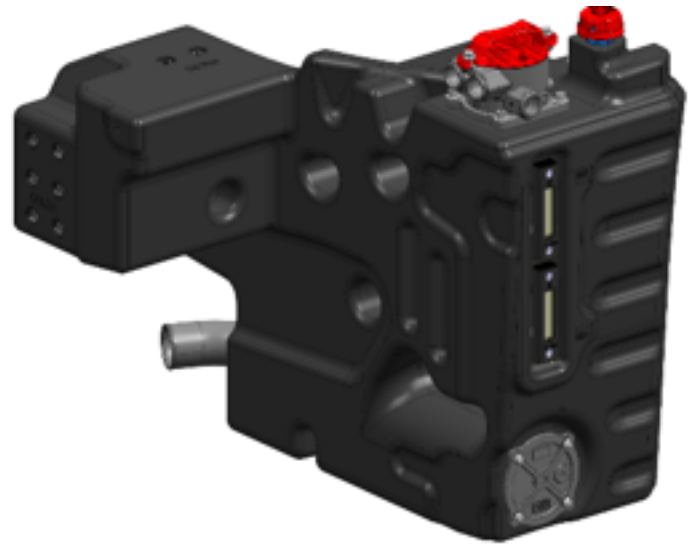
Simpler. Smaller. Smarter.



Donaldson Hydraulic Reservoir Solutions

Turnkey hydraulic solutions to make your job easier.

Hydraulic oil reservoirs are often the last thing designed into a hydraulic system. Sourcing various parts from numerous suppliers, finding space to attach the assembled reservoir — it often makes for a less-than-optimized system in an otherwise well-oiled machine. Something as straightforward as a reservoir can become a headache for the engineering team.



Rather than spend the time sorting and fitting a system made of mismatched parts into your equipment, consider our turnkey reservoir solutions so you can focus your engineering resources on higher priority items. Make it simple. Let Donaldson be your single-source supplier for a hydraulic reservoir solution.

Simpler. Smaller. Smarter Solutions for Better Performance.

“Let Donaldson help simplify your engineering process.”

***Scott Grossbauer,
GM, Hydraulics***

Simpler.

Donaldson reservoir solutions come to you clean, tested, fully assembled and optimized for your specific design. Literally a sum that's greater than its parts, and easier to work with, too.

A **single engineering vision**, with components built to work together and supplied by a single source.

By choosing to work with Donaldson, you get the benefits of streamlined engineering, **single source procurement**, and complete reservoir assembly. Donaldson designs, tests, and supports complete, integrated reservoir solutions that are tailored to perform to your specific application.

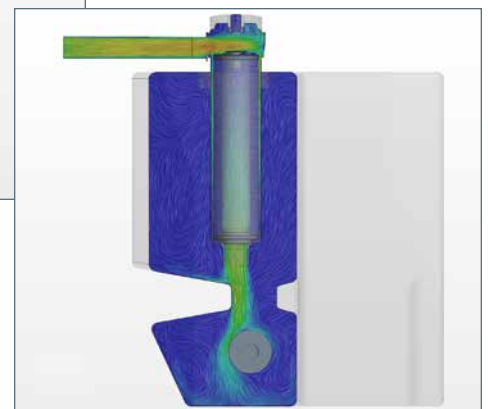
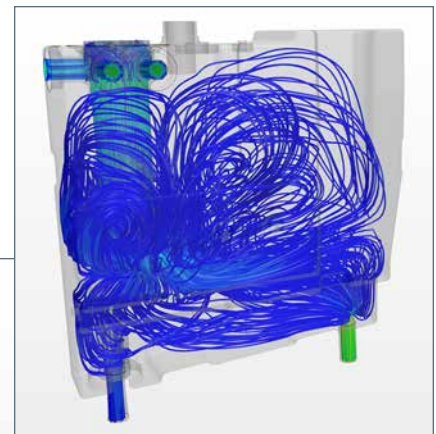
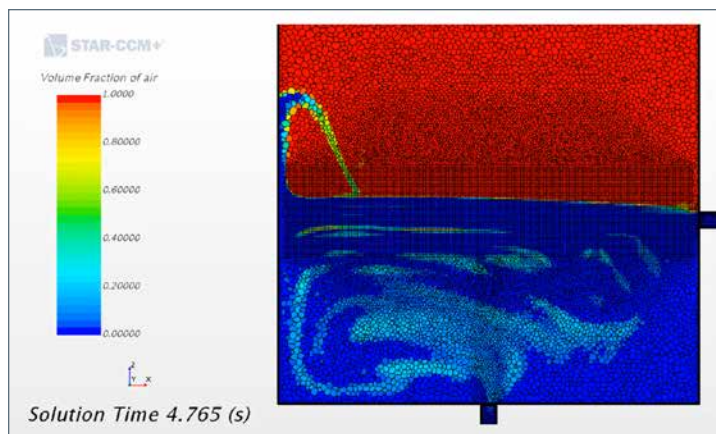


Reservoir test bench

Our engineers utilize Finite Element Analysis (FEA) and Computational Fluid Dynamics (CFD) to model performance during development and ensure that each reservoir solution passes **qualification and validation testing**.

An integrated, turnkey hydraulic solution **simplifies the time and effort** required for development and supplier management during production. Donaldson hydraulic reservoir solutions arrive at your point of manufacture **clean, tested, fully assembled and ready for installation**.

Real-world, dynamic qualification and validation testing procedures on every reservoir solution.



Smaller.

Donaldson hydraulic reservoirs are ***designed to optimize space and performance***, instead of as an afterthought. By engineering to the available space on the equipment and integrating deaeration filtration into the system, our reservoirs are optimally sized for your platform.

- ***Smaller size***: Less material, less oil, less weight and less cost than conventional reservoir designs.
- ***Customized configurations***: Whatever your setup, we can engineer to fit. Reservoirs are steel, rotomolded or injection molded in plastic or to mount left, right or forward facing - with custom porting and hose routing configurations.
- ***Significant value***: Smaller reservoir solutions offer savings benefits for you and your customers. Space is at a premium on every single piece of equipment. Make the most of it.

UP TO
50%
REDUCTION
IN RESERVOIR SIZE



Our reservoir solutions are smaller and more form flexible than conventional reservoir designs.

Smarter.

A hydraulic reservoir filtration system should enhance total system performance. Donaldson's **integrated filtration technology** plays a crucial role in conditioning oil before it re-enters the hydraulic pump.

Better system protection and advanced technology combine to create hydraulic reservoir solutions that do more than simply hold oil: they **increase performance** and lower the cost of equipment operation when compared to conventional designs.

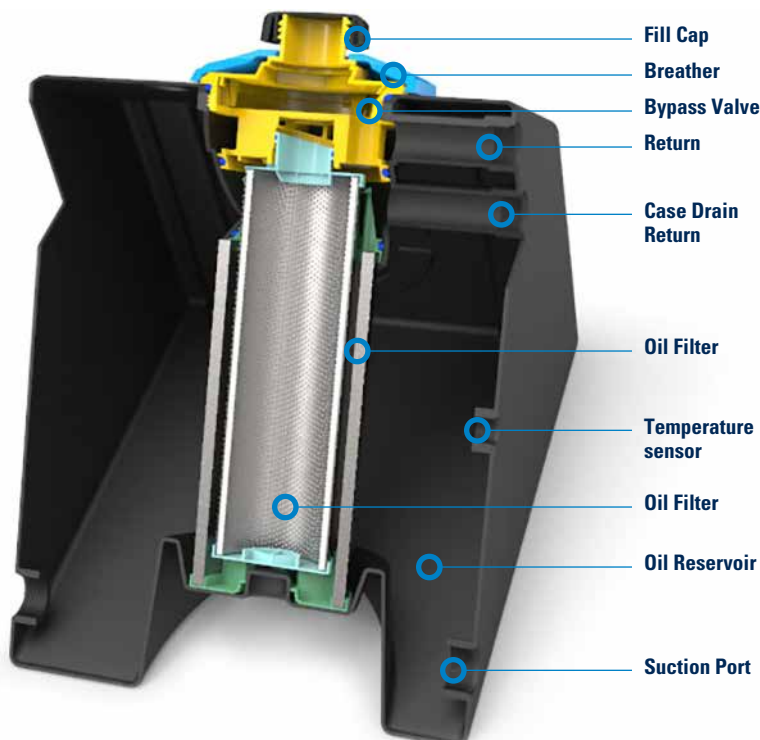
Innovative filtration and **deaeration filtration technology** are designed into Donaldson hydraulic reservoirs to improve inlet conditions and reduce the system performance problems that can result from air, water or particulate contamination. These integrated technologies extend the life of the oil and hydraulic system components to **improve equipment reliability** and uptime, while providing **cost savings for your customers**.

As equipment platforms become more connected, each Donaldson hydraulic reservoir is designed to increase owner value by easily integrating into **connected equipment technology** platforms.

Donaldson's integrated hydraulic reservoir solutions provide a smarter alternative to traditional reservoirs.



In-tank filtration technology

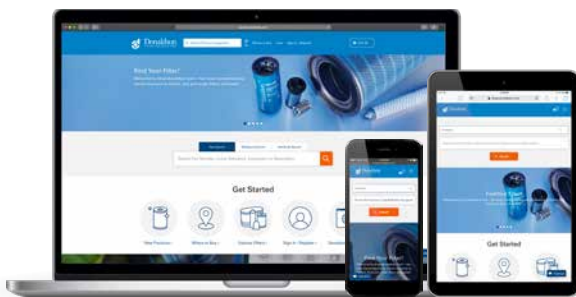


Reservoir Solution Benefits:

- Smaller reservoir for reduced space claim and lower system weight.
- Lower total system cost (less first-fit oil, less service oil, extended oil life)
- Lower environmental impact
- Less vibration, reducing wear and tear on the entire system
- Reduced pump noise
- Better hydraulic control and stability

Form Flexibility and Customization

Donaldson hydraulic reservoir solutions are efficient in design and engineering. Each reservoir is designed to fit the available space and engineered to meet the requirements of the hydraulic system, while providing the appropriate amount of clean, deaerated oil. Reservoirs are steel, rotomolded or injection molded in plastic.



DISCOVER.

Looking for a complete filtration system or advice on choosing the right filter? Go to **donaldson.com** to learn about our broad range of filtration solutions offered – and get help deciding which option is right for your application.



Donaldson Company, Inc.
Minneapolis, MN

donaldson.com
donaldsonoemfiltration.com

Global Headquarters
North America Minneapolis, Minnesota, United States

Regional Headquarters
Africa Johannesburg, South Africa
Australasia WYong, Australia
China Shanghai, China
Europe Leuven, Belgium
India Gurgaon, India

Japan Gunma, Japan
Latin America Aguascalientes, Mexico
South Korea Seoul, Korea
Southeast Asia Singapore, Singapore

Brochure No. F115403 ENG (09/21)

©2021 Donaldson Company, Inc. All rights reserved. Donaldson Company, Inc. reserves the right to change or discontinue any model or specification at any time and without notice. Printed in the U.S.A.